

# buddee

## WIRELESS OVER EAR HEADPHONES WITH NOISE CANCELLING



### USER MANUAL

Thank you for purchasing Buddee Wireless Over Ear Headphones with Noise Cancelling. For optimum performance and safety, read these instructions carefully before connecting, operating or adjusting this product. Refer to this manual for future reference.

#### INTRODUCTION

Answer calls and stream your favourite tunes wirelessly via Bluetooth® connectivity. Noise cancelling technology paired with soft over ear cushions will have you comfortably immersed in music.

Noise cancelling technology can be activated to electronically mute background noise. Use it with Bluetooth® or an auxiliary cable connection to enhance the quality of the audio that is playing through the headphones.

Pair your smartphone, or other Bluetooth® enabled device with your headphones by selecting them in your device's Bluetooth® settings.

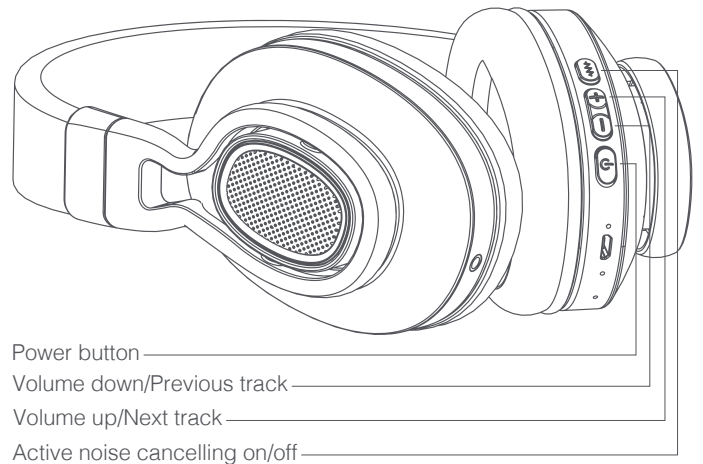
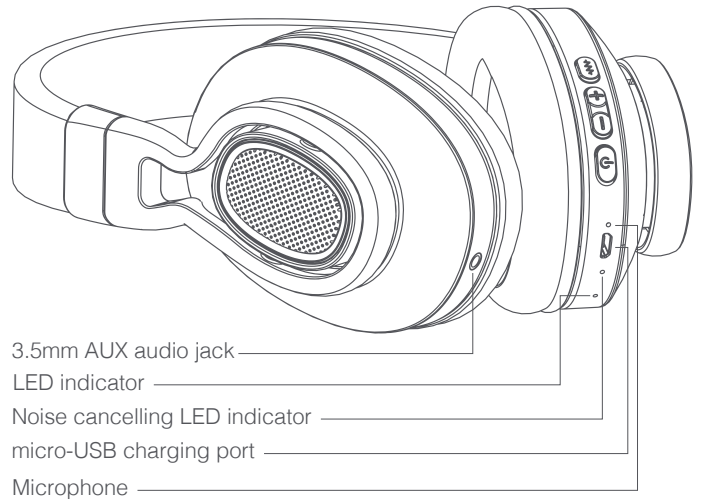
#### FEATURES

- Bluetooth® audio
- Noise Cancelling
- On-ear controls
- Soft leather cushions
- Micro-USB charging
- Built in microphone

#### PACKAGE CONTENTS

Before attempting to use this unit, please check the packaging and make sure the following items are contained in the shipping carton:

- Wireless Over Ear Headphones
- Micro-USB charging cable
- 3.5mm AUX cable
- User manual



UN38.3



Made in China

© Buddee Gear 2019. All rights reserved. The Bluetooth® word mark and logos are registered trademarks owned by Bluetooth SIG, Inc. and any use of such marks by Buddee Gear Pty Ltd. is under license. Other trademarks and trade names are those of their respective owners.

## BUTTON FUNCTIONS

**Power button:** hold for 8 seconds to power on the headphones and begin *Bluetooth*<sup>®</sup> pairing. Hold for 4 seconds to power off. Press once to play/pause or answer/end calls. Double press to redial the last dialled phone number. Hold for 1-2 seconds to reject an incoming call.

**Volume down/Previous track:** press to decrease volume, hold to skip to the previous track.

**Volume up/Next track:** press to increase volume, hold to skip to the next track.

**Active noise cancelling on/off:** Press to turn Noise Cancelling on/off. The green Noise Cancelling LED indicator will light up when Noise Cancelling is on.

## CHARGING

1. Connect the micro-USB end of the charging cable with the micro-USB port on the right earcup of the headphones and connect the USB end to your computer or USB charger.
2. The LED indicator will light up red during charging.
3. When the headphones are fully charged the LED indicator will change to blue.

Note: charge time is approximately 2 hours.

## BLUETOOTH<sup>®</sup> PAIRING

1. Hold the Power button for approximately 8 seconds to turn on.
2. The headphones will sound "power on". The LED indicator light will alternate red and blue when the headphones are ready to pair.
3. Open *Bluetooth*<sup>®</sup> settings on your smartphone, tablet, computer, ensure *Bluetooth*<sup>®</sup> is on and search for devices.
4. Select "BD-NCHBT-1" from the list of available devices. The LED indicator will light up red when the headphones are successfully paired.
5. Once paired, the headphones will automatically connect to the last device they were connected to if it is on and in range.

Note: headphones will automatically turn off after 10 minutes of inactivity to save battery.

## PLAYING MUSIC

Once the headphones are turned on and connected, open your favourite music app and press play.

Control your music and volume via your device or the on headphone controls.

All audio, including music, games, videos and notifications will play through the headphones.

## TROUBLESHOOTING

Headphones won't turn on

Recharge your headphones using the included micro-USB charging cable

Music will not play via *Bluetooth*<sup>®</sup>

Ensure your device and headphones are both on and paired. Restart your headphones to reconnect your device.

*Bluetooth*<sup>®</sup> device will not connect to headphones

Open *Bluetooth*<sup>®</sup> settings on your device, select BD-NCHBT-1 and tap Forget. Follow the steps above to reconnect your device.

## TECHNICAL SPECIFICATIONS

Bluetooth: V5.0, 10m range

Battery: 300mAh

Charge time: 2 hours

Play time: 18 hours

Charging: micro-USB

Driver: 2x40mm

Frequency response: 20-20,000Hz

Sensitivity: 110dB +/-3dB

Impedance: 32Ohm S.P.L. (at 1KHz)

Active noise cancelling: -18dB