

# buddee

## CD PLAYER WITH AM/FM RADIO AND BLUETOOTH® AUDIO PLAYER



Thank you for purchasing a Buddee Audio Player.  
For optimum performance and safety, read these instructions carefully before connecting, operating or adjusting this product. Refer to this manual for future reference.

### INTRODUCTION

This compact and stylish Audio Player from Buddee is the total solution for all your music needs. It has an easy to navigate and user-friendly interface that will have you instantly pumping out your favorite tunes. With CD, AM/FM radio and Bluetooth® connectivity you can play audio in whichever format you want.

### FEATURES.

- AM/FM radio
- Bluetooth® audio player
- LCD display
- Audio input jack

### PACKAGE CONTENTS

Before attempting to use this unit, please check the packaging and make sure the following items are contained in the shipping carton:

- Main unit (CD Player with radio)
- Power cable
- User manual

### POWER SUPPLY

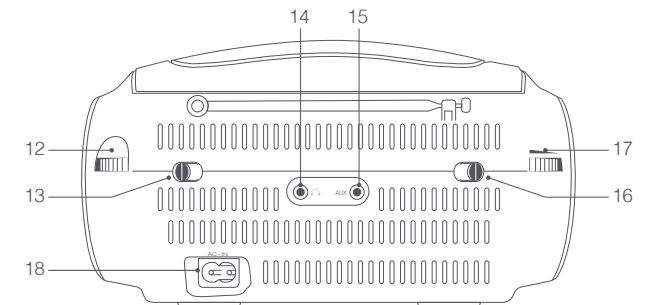
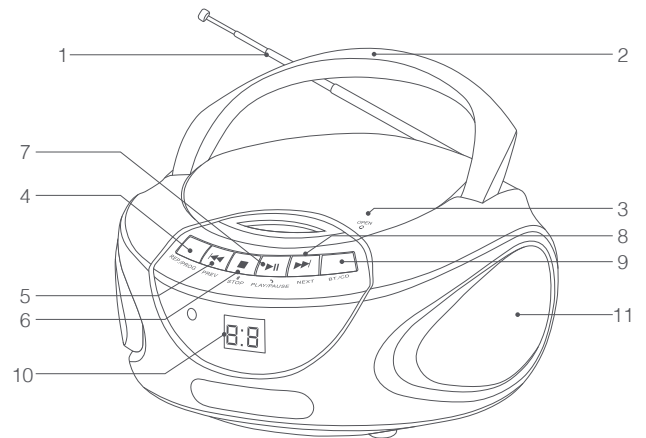
Requires 6 x C batteries (not included).

1. Insert power cord plug into a standard wall outlet and switch the power supply switch to "ON".

Caution: using other types of power cords may cause fire or electric shock

2. Install batteries in battery compartment. C batteries only, ensure the batteries are installed with the correct polarity (- to -, + to +). Batteries should be replaced when: broadcast sound changes to noise, when the sound becomes diminished and distorted, or when the CD player is incapable of reading a disk.

CAUTION: Do not mix different types of batteries or use old batteries and new batteries together. Never charge, heat or break the battery. When taking out a used battery, if it is found that the battery has leaked, the battery should be taken out and the leaked liquid should be thoroughly wiped out.



### DEVICE CONTROLS

- |                       |                      |
|-----------------------|----------------------|
| 1. FM antenna         | 10. LCD display      |
| 2. Handle             | 11. Speaker          |
| 3. CD door open/close | 12. Tuning knob      |
| 4. Repeat/Program     | 13. Band switch      |
| 5. Previous           | 14. Earphone jack    |
| 6. Stop               | 15. Audio input jack |
| 7. Play/Pause         | 16. Function switch  |
| 8. Next               | 17. Volume knob      |
| 9. BT./CD             | 18. AC socket        |

### TECHNICAL SPECIFICATIONS

Power supply: AC 220V-240V 50Hz 10W  
 Battery: 9V (UM-2X6)  
 Output power: 1W+1W  
 CD playback frequency: 31.5Hz-16kHz ± 3dB  
 CD signal/noise ratio: ≥50dB  
 CD sampling frequency: 44.1kHz  
 Frequency range: FM 88-108MHz, AM 530-1710KHz  
 Speaker impedance: 8Ω +8Ω (ohm)  
 Dimensions: 212(L) + 200(W) + 155(H)mm  
 Weight: Approx. 1.18KG (battery not included)



Made in China

© Buddee Gear 2016. All rights reserved. The Bluetooth® word mark and logos are registered trademarks owned by Bluetooth SIG, Inc. and any use of such marks by Buddee Gear Pty Ltd. is under license. Other trademarks and trade names are those of their respective owners.

## AUX IN

This player can be used as amplifier for your audio device. Plug your audio device output jack into the audio input jack, then slide the function switch to AUX in position and the player will play your input audio signal.

## EARPHONE JACK

For private listening, insert your headphones into the 3.5mm headphone jack. The sound will be automatically directed to you headphones instead of the speaker.

Caution: Listening at high power for a long time could damage your hearing.

## OPERATION OF CD/AUX FUNCTION

1. Slide the function switch to the "BT/CD/AUX" Position.
2. Press the CD door to open, insert the CD disk (shiny side down) and close the CD door. The player will play the first song and the LCD will display the track number.
3. Adjust the volume with the volume knob.
4. Press the PLAY/PAUSE button to temporarily pause playback, press again to resume playback.
5. Press the STOP button to stop playback.
6. To change tracks at any time press PREV or NEXT button.
7. To set repeat mode, press the REP./PROG button repeatedly to choose the desired mode: repeat current track, repeat whole disc, shuffle, off.
8. To program a sequence, when play is stopped, press the REP./PROG button to enter program status (The LCD display will flash as picture below) and press PREV or NEXT button to choose the track. After the track is chosen, press the REP./PROG button. You can program as many as 10 tracks.

Press the PLAY/PAUSE button to play the music in programmed sequence. To cancel the program, press the STOP button.



## LISTENING TO THE RADIO

1. Slide the function switch to RADIO.
2. Slide the band switch to the desired band.
3. Rotate the volume knob to adjust the volume
4. Rotate the tuning knob to set the desired frequency.

### TO ENHANCE RADIO RECEPTION

FM: Extend the antenna  
AM: Adjust the direction of the player

## BLUETOOTH® FUNCTION

1. Slide the function switch to BT/CD/AUX.
2. In the Bluetooth® setting on your device select "BD-BMBOX-1" to pair. The Bluetooth® indicator will light up once your device is paired. (If your device prompts you to enter password, please enter 0000.)
3. After your device has been paired, you can play music from your device through the Audio Player.
4. After your device has been paired hold STOP button to stop searching for new Bluetooth® device.
5. To disconnect Bluetooth® during music playback, hold PLAY/PAUSE button.
6. To answer a phone call during music playback, press PLAY/PAUSE button once, and to reject, press twice.
7. To use the hands free function during music playback, press PLAY/PAUSE button once.

## IMPORTANT SAFETY INFORMATION

### APPLICATION ENVIRONMENT

1. Please do not use the player near water, wet places or any heat sources.
2. Please place the product on a flat surface with sufficient ventilation. A space greater 10cm at the top and the back, and greater than 5cm at both sides should be left for the product. The ventilation openings should not be covered with items such as newspaper, table cloth, curtain, etc.
3. Do not place on a bed, wool blanket or in a bookcase, cupboard or hermetic sealing frame or any other similar objects or places.

### POWER SUPPLY

1. When pulling out the power cord, pull the plug. Do not pull from the power cord.
2. Do not touch the AC power supply plug when your hand is wet, since it may cause an electric shock.
3. The power cord should be placed in a fixed position to avoid twisting or being stepped on. Do not use an AC power socket with thin and elongated electrical wires. A heavy load for the socket may cause fire or an electrical shock accident.
4. When the main plug or appliance coupler is used as the disconnect device, the disconnect device shall remain readily operable. To completely disconnect from the power input, the main plug of the CD player should be disconnected from the device.
5. When the product is not in use for a long time, pull out the AC power supply plug from the power supply socket or take out the battery.

## DISPOSAL

Electrical goods should not be disposed of with household waste. Check local regulations for disposal of electrical goods and to find your nearest recycling facility.

**This Compact disk player is classified as a "CLASS 1 LASER PRODUCT".**

**DANGER: Invisible laser radiation when opened and interlock is broken. Avoid direct exposure to beam.**

## TROUBLESHOOTING GUIDE

PROBLEM	POSSIBLE CAUSES	SOLUTION
The player does not work	The power supply plug has not been inserted to the socket properly.	Insert the power supply plug in the socket securely.
	The power switch is not turned on.	Push the power switch to "ON".
Not available to play	The disk is not placed properly.	Place the disk properly, with the printed surface facing upwards.
	The disk is not compatible.	Insert a compatible disc.
	CD door not closed.	Close the CD door.
No sound	Operation method is incorrect.	Ensure you are following the instructions correctly.
	The volume is too low.	Increase the volume.
The sound stops	The disk or the laser lens is dirty.	Clean the disk or laser lens.
	The disk is scratched or damaged.	Change for an undamaged disk.