

buddee

VINTAGE TURNTABLE WITH CD PLAYER AM/FM RADIO AND BLUETOOTH® AUDIO



Thank you for purchasing a Buddee Vintage Turntable with CD Player. For optimum performance and safety, read these instructions carefully before connecting, operating or adjusting this product. Refer to this manual for future reference.

INTRODUCTION

The Buddee Vintage Turntable blends vintage style with modern technology. The dynamic dual built-in speakers deliver crystal clear audio for to your favourite vinyls or the latest hits on AM/FM radio, CD or via AUX input. Connect your smartphone via Bluetooth® and listen to your tunes wirelessly.

FEATURES

- Variable turntable speed (33, 45, 78 rpm)
- Automatic/manual stop turntable
- Belt-driven system
- Bluetooth® connectivity
- Auxiliary input

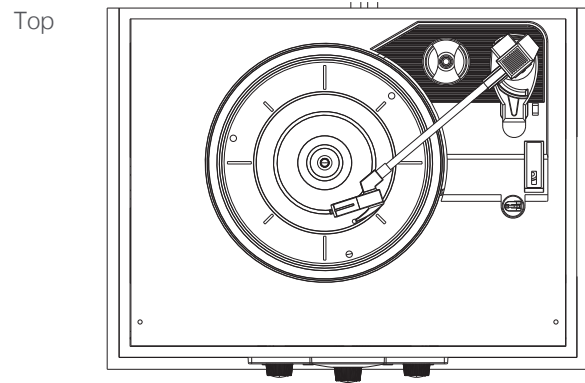
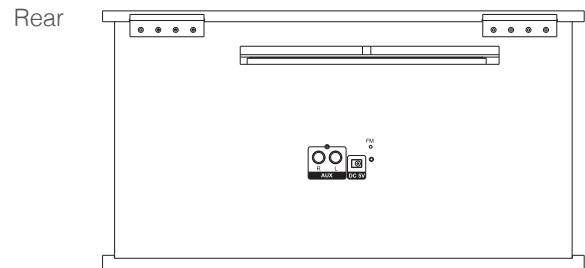
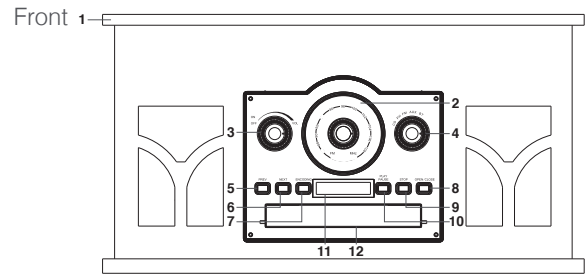
PACKAGE CONTENTS

Before attempting to use this unit, please check the packaging and make sure the following items are contained in the shipping carton:

- Turntable
- AUX in cable
- AC power adaptor
- Spare needle
- User manual

TECHNICAL SPECIFICATIONS

Power input: DC 5V 2A
Power consumption: 10W
Audio output power: 2 x 5W
Radio frequency: FM 88-108MHz
AM 522-1620kHz
CD frequency response: 100Hz - 16KHz
Bluetooth profiles: A2DP, AVRCP
Bluetooth range: Line of sight, 10m or 30ft
Dimensions: 400 x 300 x 215 mm
Net Weight: 6.0kg



DEVICE CONTROLS

- | | |
|------------------------------------|--------------------------|
| Front | Rear |
| 1. Turntable Cover | 13. AUX input |
| 2. Radio Frequency Dial | 14. DC IN port |
| 3. Volume Dial; Power ON/OFF | 15. AM/FM Antenna |
| 4. Function Dial (CD/PH/FM/AUX/BT) | Top |
| 5. PREV Button | 16. Turntable pickup |
| 6. NEXT Button | 17. Tone Arm |
| 7. AM/FM Button | 18. Speed Control Switch |
| 8. CD OPEN/CLOSE Button | 19. Tone Arm Lock |
| 9. STOP Button | 20. Control Perch |
| 10. Play/Pause Button | 21. 45 RPM Adaptor |
| 11. LED Display | 22. Turntable |
| 12. CD Drive | |



Made in China

© Buddee Gear 2016. All rights reserved. The Bluetooth® word mark and logos are registered trademarks owned by Bluetooth SIG, Inc. and any use of such marks by Buddee Gear Pty Ltd. is under license. Other trademarks and trade names are those of their respective owners.

SETUP

1. Carefully unpack the main unit.
2. Connect the power adaptor to the DC outlet.
3. Connect the AUX in cable to the R/L outlet.
4. Unwind the FM antenna.

ADJUSTING THE SOUND

To adjust the sound, turn the Volume dial located on the left side of your system in any mode.

USING THE CD PLAYER

Loading CDs

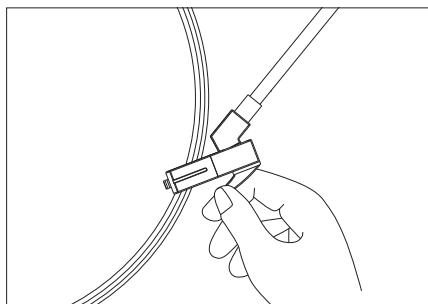
1. Turn the ON/OFF dial to the ON position. Turn the Function dial to the CD position.
2. Press the OPEN/CLOSE button to open the CD door. Do not force open the CD door by hand at any time.
3. Place the CD in the compartment with the label side facing upwards.
4. Press OPEN/CLOSE to close the CD door.

Note:

- Do not put anything other than a CD in the compartment. Other objects can damage the mechanism.
 - Do not force open/close the CD door by hand at any time.
 - Keep the CD door closed when not in use to keep the mechanism clean of dirt and dust.
 - Never insert more than one CD at a time.
- If a disc is deeply scratched or too dirty, it may not play.

Playing CDs

- Press PLAY/PAUSE TO play or pause. When paused, the LED screen will display "II".
- Press STOP to stop.
- To resume play, press the PLAY/PAUSE button again.
- Press the PREV/NEXT Button to skip to the previous or next song.



USING THE TURNTABLE

1. Turn the ON/OFF dial to the ON position. Turn the Function dial to the PH (phonograph) position.
2. Place the vinyl on the turntable.
3. Select the correct speed for the vinyl you wish to play: 33, 45, 78rpm.
4. Remove the stylus guard and push the lift lever upward to raise the tone arm from the arm park, then gently move the cartridge holder over the record. The platter will begin to run automatically. Push down the lever, the tone arm will drop and begin to play.
5. To pause, push the arm lift lever up to raise the arm. The platter will continue to run while playback is paused. Push down the lever to continue playing.

REPLACING THE STYLUS

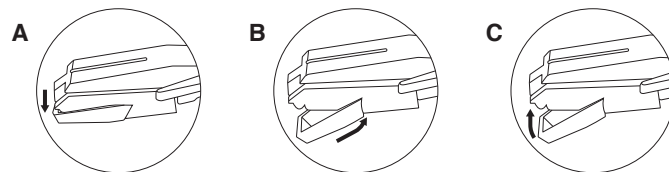
Removing the needle from the cartridge

1. Place a screwdriver at the tip of the needle head shell and push downwards as shown (A)
2. Remove the needle head shell by pulling it forwards and pushing downwards.

Inserting a new needle

1. Hold the tip of the needle head shell and insert it by pressing in as shown (B)
2. Push the needle head shell upwards (C) until the needle locks into the tip position.

Note: A dirty lens will cause skipping and can prevent playback.



USING THE AM/FM RADIO

1. Turn the ON/OFF dial to the ON position.
2. Turn the Function dial to the FM position.
3. Turn the Radio Frequency dial to set the desired FM frequency.
4. Press the AM/FM button to switch to AM.
5. Turn the Radio Frequency dial to set the desired AM frequency.

Antenna

For best FM reception, extend the wire antenna located at the back of the unit and move it around to find the optimum position for FM reception.

PLAYING MUSIC VIA AUX INPUT

1. Turn the ON/OFF dial to the ON position.
2. Turn the Function dial to the AUX position.
3. Connect the two ends of the included Audio cable to the LINE IN jack on the back of the speaker, matching the white jack to the white port and the red jack to the red port, and the other end of the cable to the AUX port on your computer, mobile phone, tablet or mp3 player.
4. Select a song on your device and play to listen through the Buddee Vintage Turntable.

PLAYING MUSIC VIA BLUETOOTH®

1. Turn the ON/OFF dial to the ON position.
2. Turn the Function dial to the BT (Bluetooth®) position.
3. The LED display will flash "BLUE".
4. Ensure that the turntable and your Bluetooth® enabled device are within 1 metre of each other.
5. Turn on Bluetooth® on your device.
6. Select "BD-TTABLE-3" from the list of devices.
7. If prompted, enter the password 0000.
8. Once the devices are successfully paired, the LED will display "BLUE".

SAFETY PRECAUTIONS

- This product is designed for use in moderate climates. Do not use or install this unit where it would be exposed to direct sunlight or extremely hot temperatures such as near a radiator, stove or appliance that produces heat.
- Do not use this unit in the bathroom, or near a swimming pool. Do not use it where it could be exposed to water, moisture, dripping or splashing.
- Do not place any objects filled with liquid, such as vases, on this product.
- Do not place any sources of naked flame, such as candles, on this product.
- If water gets inside the unit, unplug the power cord from the supply socket and consult your dealer.
- Do not handle the power cord with wet hands. To avoid electric shock, NEVER touch any internal parts. Repairs/Serviceing should be left too a qualified service person.
- When connecting or disconnecting from the mains supply, hold the plug, not the cord. Pulling the cord may damage it and could be dangerous.
- Do not drop the unit, spill liquid into it or allow objects to fall in it.
- If the unit fails to operate, disconnect from the mains and consult a qualified service person.
- When plugged in, a very small current will flow. To save electricity and for safety when not using the unit for an extended period of time, it is recommended that the product is completely disconnected at the AC mains socket.
- Do not bend the cord sharply, pull or twist it.
- Do not modify the power cord in any manner.
- Do not insert any metallic object into the unit.
- Unplug the power cord when there is the possibility of lightning.
- In case of malfunction due to electrostatic discharge, reset the product (it may be necessary to disconnect and reconnect the power source) to resume normal operation.

- Do not place the unit where it could be subject to vibration.
- Do not place the unit where it could be magnetised by a magnet or speaker, do not place magnetic cards on the unit as this could result in recorded data being corrupted or erased.
- When this unit is used near a TV, the TV picture could be distorted. If this happens, move the unit away from the TV. If this does not correct the situation, avoid using the unit when the TV is turned on.
- Keep the CD door closed so the lens is not contaminated by dust. Do not touch the lens.

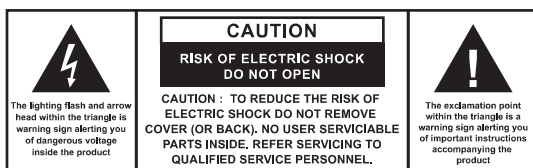
SAFETY MECHANISM

This unit incorporates a safety interlock mechanism which switches the laser beam on and off, so that when the disc holder is open, the laser beam stops automatically.



This set employs an optical laser beam system in the CD mechanism designed with built-in safeguards. Do not attempt to disassemble. Exposure to this invisible laser light beam may be harmful a human eye. This is a Class 1 laser product. Use of controls, adjustments or procedures other than those specified here in may result in hazardous laser light beam exposure. This compact disc player should not be adjusted or repaired by anyone except qualified service personnel. The laser mechanism in the set corresponds to the stylus (needle) of a record player. Although this product uses a laser pick-up lens, it is completely safe when operated according to directions.

We certify that the power supply is used as a device for disconnecting the power distribution network, which should stay easily accessible.



POSITIONING THE UNIT

- A minimum distance of 15 CENTIMETRES must be maintained to provide sufficient ventilation.
- Allow adequate ventilation for the unit. Ventilation should not be impeded by covering the ventilation openings with items such as newspapers, table cloths, curtains etc. Do not use on a thick pile carpet, or anywhere with poor air flow.
- Place the unit on a flat even surface.
- Do not use the unit in excessively hot, cold, dusty, damp or humid places.
- Condensation may form inside the CD player if the unit is left anywhere warm and damp, or if you move the unit from somewhere cold (e.g. Your car boot) to a warm room. In this case, let the unit stand for 1-2 hours, or gradually increase the room temperature so the unit is dry before you use it.

DISPOSAL

Electrical goods should not be disposed of with household waste. Check local regulations for disposal of electrical goods and to find your nearest recycling facility.