

# buddee

## PORTABLE AM/FM RADIO WITH USB PORT

### USER MANUAL

Thank you for purchasing a Buddee 4 Port USB Travel Wall Charger. For optimum performance and safety read these instructions carefully before connecting, operating or adjusting this product. Refer to this manual for future reference.

#### INTRODUCTION

This portable, compact 4 Port USB Travel Wall Charger allows you to recharge up to four standard USB charging devices. With the included adaptors for AU, US, EU and UK plugs, it is perfect for recharging overseas while traveling.

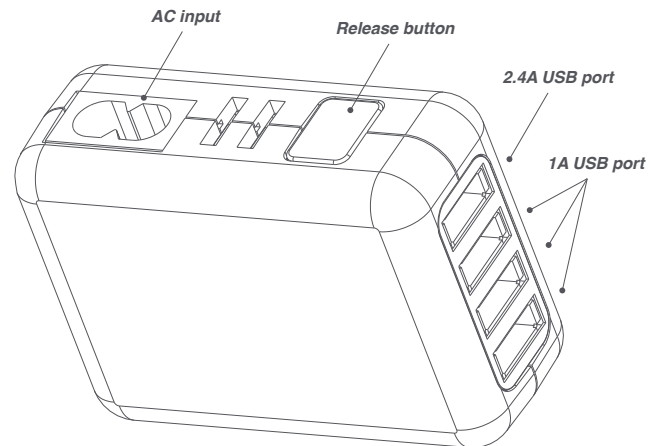
#### FEATURES

- Light and compact charger
- Charge multiple devices at the same time
- International adaptors allow charging in multiple countries
- 5.4A of charge available when all ports in use

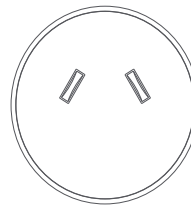
#### PACKAGE CONTENTS

Before attempting to use this unit, please check the packaging and make sure the following items are contained in the shipping carton:

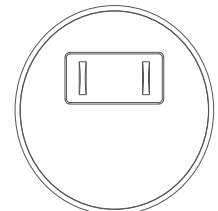
- 1 x Main unit: 4 Port USB Wall Charger
- International adaptors: AU, US, EU, UK
- User manual



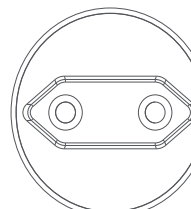
#### INTERNATIONAL ADAPTORS



AUSTRALIA



USA



EUROPE



UK



Made in China

© Buddee Gear 2016. All rights reserved. All trademarks are registered trademarks of respective manufacturers listed.

**WARNING!**

Please use caution and care when handling any device with electrical power.

Please refer to your country's governing electrical body for the latest information on handling products with electrical power.

**BASIC PRECAUTIONS FOR USING THE 4 PORT USB TRAVEL WALL CHARGER**

Always leave space around the charger.

Never force a connector into a port. If the connector and port do not join with reasonable ease, they may not match each other.

Make sure that the connector matches the port and that you have positioned the connector correctly in relation to the port before plugging them together.

To reduce the chance of shock or injury, do not use your charger in or near water or wet locations.

When connecting or disconnecting your charger, always hold the unit by its sides. Keep fingers away from the metal parts of the plug.

Before connecting anything to the charger, make sure there are no foreign objects inside the charger connector or device port.

The charger is a high-voltage component and should not be dismantled for any reason. If the charger needs service, please refer to your place of purchase.

If you notice the charger appears to be in any way damaged, cracked or broken please do not use the charger and refer to your place of purchase.

Keep out of reach of children.

**TECHNICAL SPECIFICATIONS**

Input connector: AU, US, EU, UK plug

Input voltage: AC 100-240V 50/60Hz 0.63mA

Output voltage: DC 5.0V

Output current: 5.4A total (max)

Output USB 1: DC 5.0V, 2.4A (max)

Output USB 2: DC 5.0V, 1A (max)

Output USB 3: DC 5.0V, 1A (max)

Output USB 4: DC 5.0V, 1A (max)

Short protection: Auto recovery

**CAUTION: This Power Supply is for use with Information Technology Equipment only.**